



E-Z Load Ruff N' Tuff HD Bed Extender

Installation Instructions EZ 8555

PARTS LIST

Part No.	Qty	Description	Part No.	Qty	Description	Tools Required
101-P	3	Center Support Brackets	110-P	12	¼" Spacers	Power Drill Phillips Head Bit 3/32" Drill Bit Phillips Screwdriver
102-P	4	Support Brackets with Slotted End	111-P	6	½" Spacers	
103-P	2	Support Brackets (no slots)	112-P	2	Black Tube Caps (installed in tubes)	
104-P	4	Mounting Brackets	113-A	4	Security Clip Rings	
105-A	3	Center Aluminum Tubes (pre-assembled with support brackets 101-P)	114-S	27	Set Screws (some installed in support brackets)	
106-A	6	3-Pc Curved Aluminum Tubes	115-S	24	¾" Self Tapping Screws	
107-A	4	2 ½" Lock Pins	116-S	12	1 ½" Self Tapping Screws	
108-A	4	1 ¼" Lock Pins	117-A	1	Allen Wrench	
109-A	8	Security Clips for Lock Pins				

Important: If any parts are missing or damaged, contact EZ Load Gate at 1-800-467-7700 or send an email to www.customerservice@ezloadgate.com for assistance. **Do Not Return to the Retailer.**

1. Remove contents from carton and verify parts against parts list above. **Read and understand the instructions completely before beginning installation.**
2. The center section will be pre-assembled in the bottom of the carton but will need to be properly aligned before assembling the Bed Extender. Slide the outer center support brackets 1" from each end of the center aluminum tubes and tighten set screws. Center other support bracket and tighten set screws. Set this section aside.
3. **See Fig 1A & 1B.** Line up 3 curved aluminum tubes on a table or bench with the longest ends on the table. The center tube must be one with a tube cap in the end (or without a black plastic connector). Remove the tube cap to install the brackets below.
 - a. Line up 3 support brackets to slide on the tubes in this order: 103-P and then two 102-P. Be sure the set screws are facing down and the **slotted ends are to the right side.**
 - b. Slide the 103-P on the tubes to the center of the curved section and lightly tighten the set screws with the allen wrench.
 - c. Slide the two 102-P on the tubes (with slotted ends to right side) and set this unit aside.
4. Repeat step 3 with the other 3 curved tubes and 3 support brackets. **Be sure the slotted ends are installed to the left side on this unit.**
5. **See Fig 2:** Stand the center section up and insert the shorter ends of the curved tubes into the center section tubes as shown. Be sure that all set screws are facing the same direction and that the slotted ends of the support brackets are at the bottom.
6. **See Fig 3:** Attach the slotted end of the support brackets to the mounting brackets (104-P) as shown:
 - a. Insert a long lock pin (107-A) through the hole at the bottom of the support bracket closest to the ends of the aluminum tubes on each side and install a security clip (109-A) **without a ring** in the pin hole. This pin will remain in place permanently.
 - b. Place the pins installed in the support brackets (6a above) into the slot of each mounting bracket and slide the pins as far forward as possible.
 - c. Place the slotted end of the rear support bracket over the rear section of each mounting bracket as shown.
 - d. Insert another long lock pin into the hole of the rear support bracket, and through the rear hole in the upright part of each mounting bracket. Install a security clip **with a ring** (113-P) in the pin hole. The ring will help you remove the pins when de-mounting the Bed Extender.
7. **See Fig 4:** Set the assembled Bed Extender on the tailgate and decide where you want to position the mounting brackets.
 - a. For maximum width slide the curved extension tubes out of the center unit until the tubes are about ¼" from the edge of the tailgate sidewall.
 - b. Depending on the height of your tailgate, you may have to slide the rear support bracket (the one nearest the curve) forward and connect it to one of the other 3 holes in the mounting bracket with the long lock pin so the Bed Extender does not extend past the top of the tailgate.
 - c. After you have found which hole position in the mounting bracket gives you the best placement of the Bed Extender on your tailgate, align the 4 support brackets vertically that are connected to the mounting bracket and tighten the set screws.
 - d. Align the other support brackets (103-P) vertically and tighten the set screws.
8. Installing the mounting bracket on the tailgate **without a tailgate protector** (see Fig 4): **Note** – the mounting bracket is very durable and will not interfere with other objects placed on the tailgate when the Bed Extender is not in use.
 - a. Mark the location of the mounting bracket holes where you want the Bed Extender positioned (see 7 above).
 - b. **Do not install the mounting bracket where it might interfere with the operation of the internal tailgate latch mechanism.**
 - c. Using the power drill and 3/32" bit, drill a starter hole for the screws. With the Phillips head bit in the drill, fasten the mounting bracket to the tailgate using the shorter (3/4") self-tapping screws – do not over tighten and strip the threads.
 - d. If your tailgate is not flat you may need to position one or more of the spacers under the mounting bracket holes to level it.
9. **See Fig 5:** Installing the mounting bracket on the tailgate **with a tailgate protector**:
 - a. If your tailgate protector has ridges as shown in Fig 5, try to position the mounting brackets so the holes are supported by the ridges. **Do not install the mounting bracket where it might interfere with the operation of the internal tailgate latch mechanism.**

- b. Mark the hole positions, drill a starter hole with the drill bit and fasten the mounting brackets to the tailgate using the longer (1 ½") self-tapping screws. The screws need to penetrate the surface of the tailgate to secure the mounting brackets.
10. **See Fig 6:** If the placement of the Bed Extender is such that the mounting bracket holes are not supported by the tailgate protector ridges, use the small or large spacers to level the mounting bracket.
 - a. Mark the hole positions, drill a starter hole with the drill bit and fasten the mounting brackets to the tailgate using the longer (1 ½") self-tapping screws. Do not over tighten and strip the threads. The screws need to penetrate the surface of the tailgate to secure the mounting bracket.
11. To connect the Bed Extender to the mounting bracket, place the front support brackets with the permanent lock pins into the slot of the mounting brackets, slide it all the way forward, lower the rear support brackets over the mounting brackets and insert the other lock pins through the rear support brackets and the mounting bracket holes and insert the security clips with rings in the pin holes. Reverse this procedure to remove the Bed Extender.
12. **See Fig 7:** Mounting the Bed Extender to the front panel of the truck bed. This is an optional connection point for your Bed Extender to provide a secure cargo storage area inside the truck bed.
 - a. Remove the Bed Extender from the tailgate mounting bracket.
 - b. Insert one of the 1 ¼" lock pins (108-A) in the holes of each of the black plastic connectors at the end of the **BOTTOM** curved extension tubes and install a security clip (109-A) **without a ring** in the pin hole. This pin will remain in place permanently.
 - c. Take the other 2 mounting brackets, place the pins installed in the connectors into the slot of the mounting bracket and connect the other end of the mounting bracket to the connectors in the **TOP** curved extension tubes using the other 1 ¼" lock pins.
 - d. Install the security clips **with a ring** in the lock pin holes.
 - e. Position the Bed Extender with the mounting brackets up to the front panel of the truck bed. Slide the telescoping extension tubes in or out to the width that you want for the storage area.
 - f. Mark the location of the mounting bracket holes.
 - g. If you have a bed liner with ridges, line up the mounting bracket holes so the screws will screw directly into the ridges. Using the ¾" self-tapping screws fasten the mounting brackets to the bed liner. Do not over tighten and strip the threads.
 - h. If you are fastening the mounting bracket directly to the truck bed front panel, after marking the hole locations, drill a starter hole with the 3/32" bit and fasten the mounting bracket with the ¾" self-tapping screws. Do not over tighten and strip the threads.
13. To connect the Bed Extender to the front panel mounting brackets, slide the pins in the connectors in the bottom extension tubes in the slots of the mounting brackets. Fasten the connectors in the top extension tubes to the mounting brackets with the lock pins and insert the security pins in the lock pin holes. To remove the Bed Extender reverse this procedure.

Important Note: The E-Z Load Ruff N' Tuff Bed Extender is sold as a decorative accessory and should not be relied upon solely as protection for the vehicle, occupants or cargo.

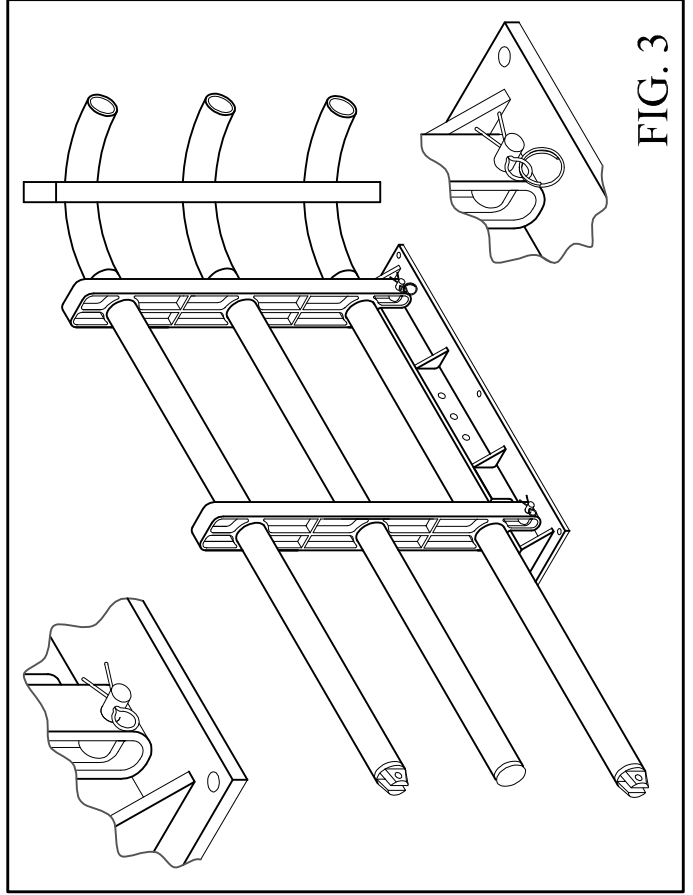
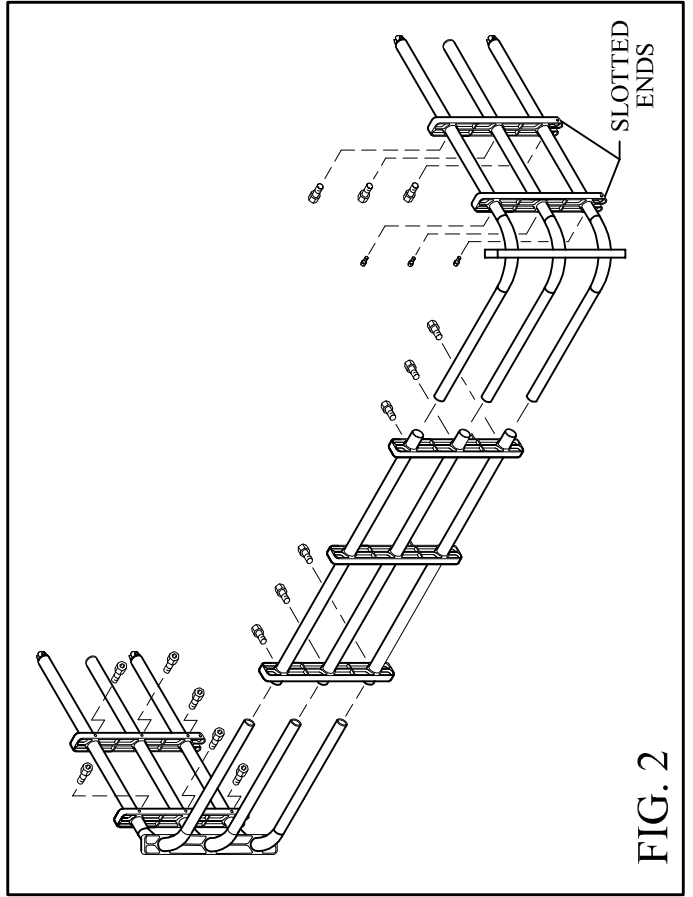
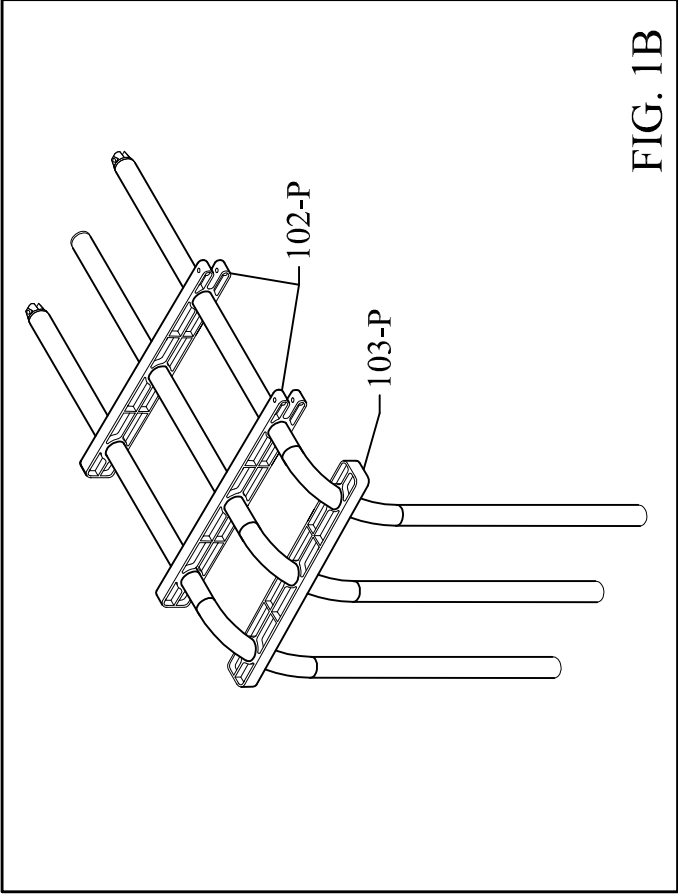
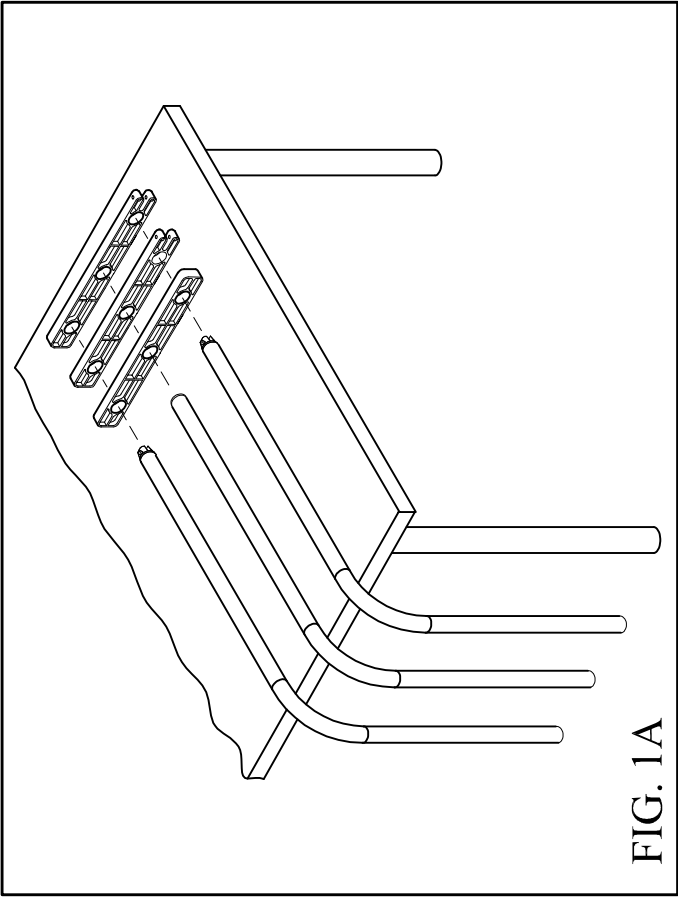
E-Z LOAD GATE, INC. LIMITED LIABILITY WARRANTY AND DISCLAIMER

E-Z LOAD GATE, INC. (company) warrants this product to be free of original defects in materials or workmanship as long as the original owner purchaser owns the motor vehicle in which it is installed. This warranty does not cover damage resulting from accident, misuse or abuse, neglect, lack of reasonable care, improper installation or normal wear and tear. The company will repair or replace, at its option, any product covered by this warranty that becomes defective. This is a parts-only warranty and such repair or replacement shall be the company's sole obligation and the customer's sole remedy for a defective product. The company shall have no liability for personal or animal injury, property damage, or any incidental or consequential damages of any kind or nature. **THE FOREGOING WARRANTIES ARE EXCLUSIVE AND IN LIEU OF ALL OTHER WARRANTIES, EXPRESSED OR IMPLIED, AND THE COMPANY DISCLAIMS ALL OTHER WARRANTIES, EXPRESSED OR IMPLIED, INCLUDING, WITHOUT LIMITATION, ANY IMPLIED WARRANTY OF MERCHANTABILITY OR FITNESS FOR A PARTICULAR PURPOSE.**

THIS WARRANTY IS VOID if the carrying capacity exceeds 200 pounds. Buyer assumes all risk and liability whatsoever from the installation and use of E-Z Load Gate products and/or accessories. E-Z Load Gate products and accessories are sold as decorative accessories and should not be relied upon solely as protection for the vehicle, occupants or cargo. E-Z Load Gate, Inc. assumes no liability for injury, loss, incidental or consequential damages in the event of a collision or roll over.

To obtain warranty or repair service, contact E-Z Load Gate, Inc.

- EMAIL: customerservice@ezloadgate.com
- PHONE: 1-800-467-7700



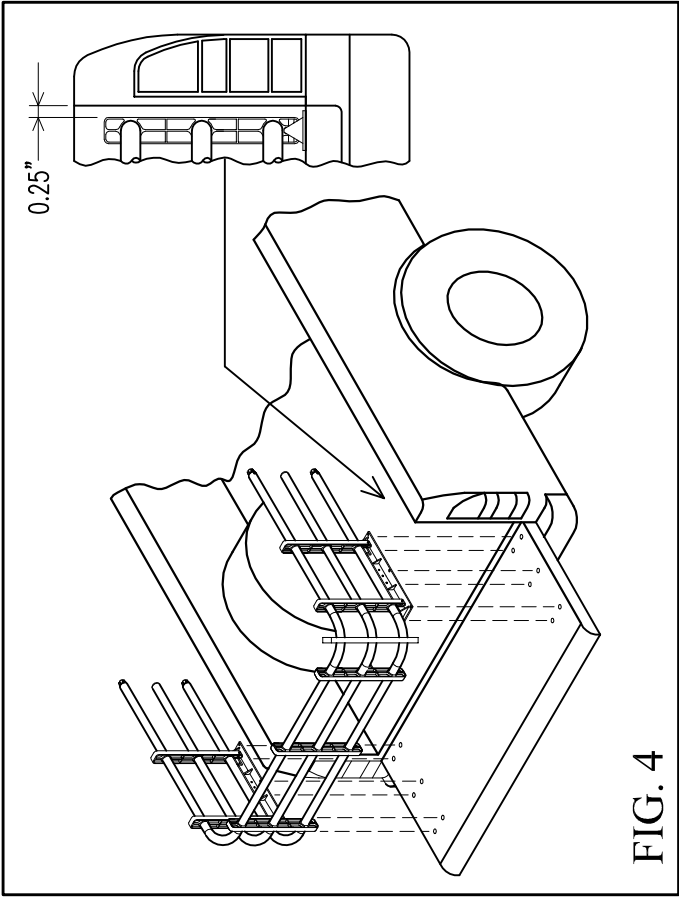


FIG. 4

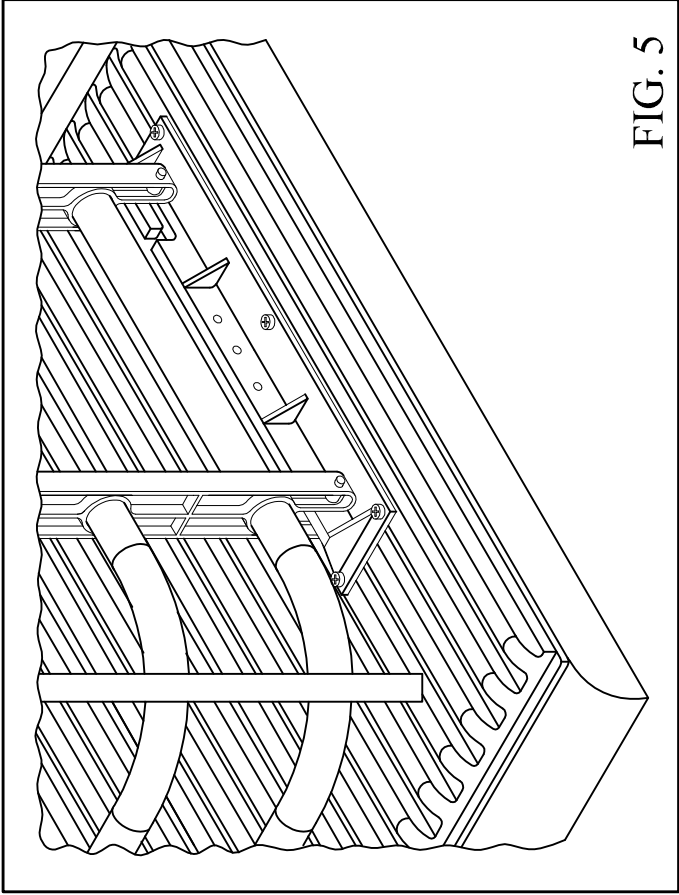


FIG. 5

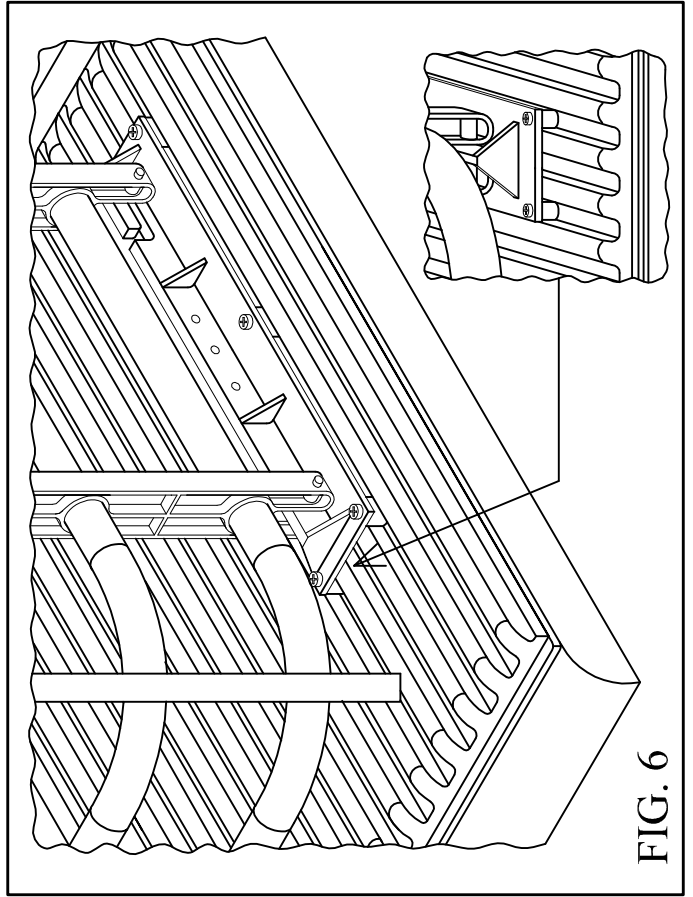


FIG. 6

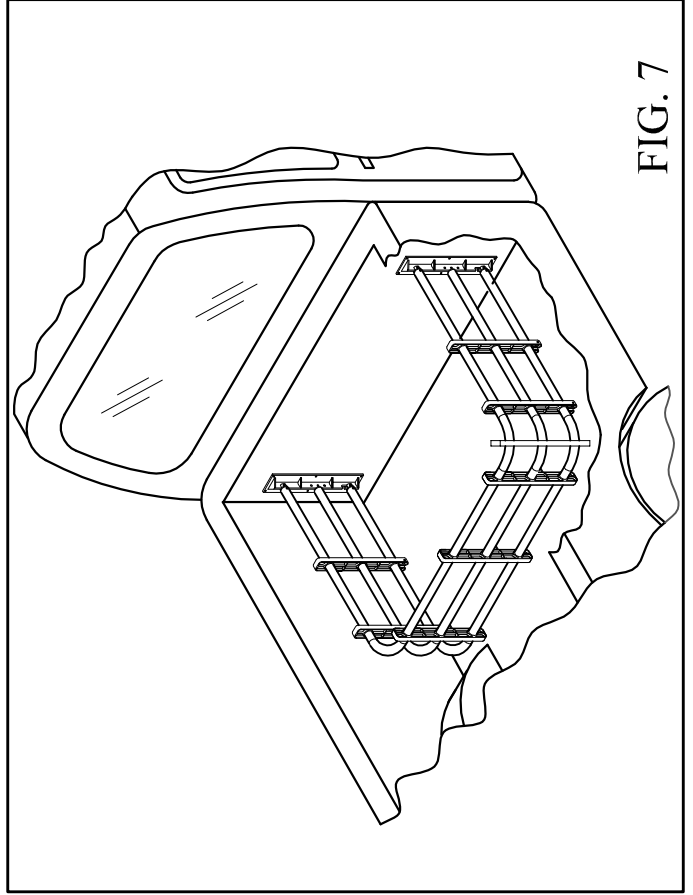


FIG. 7